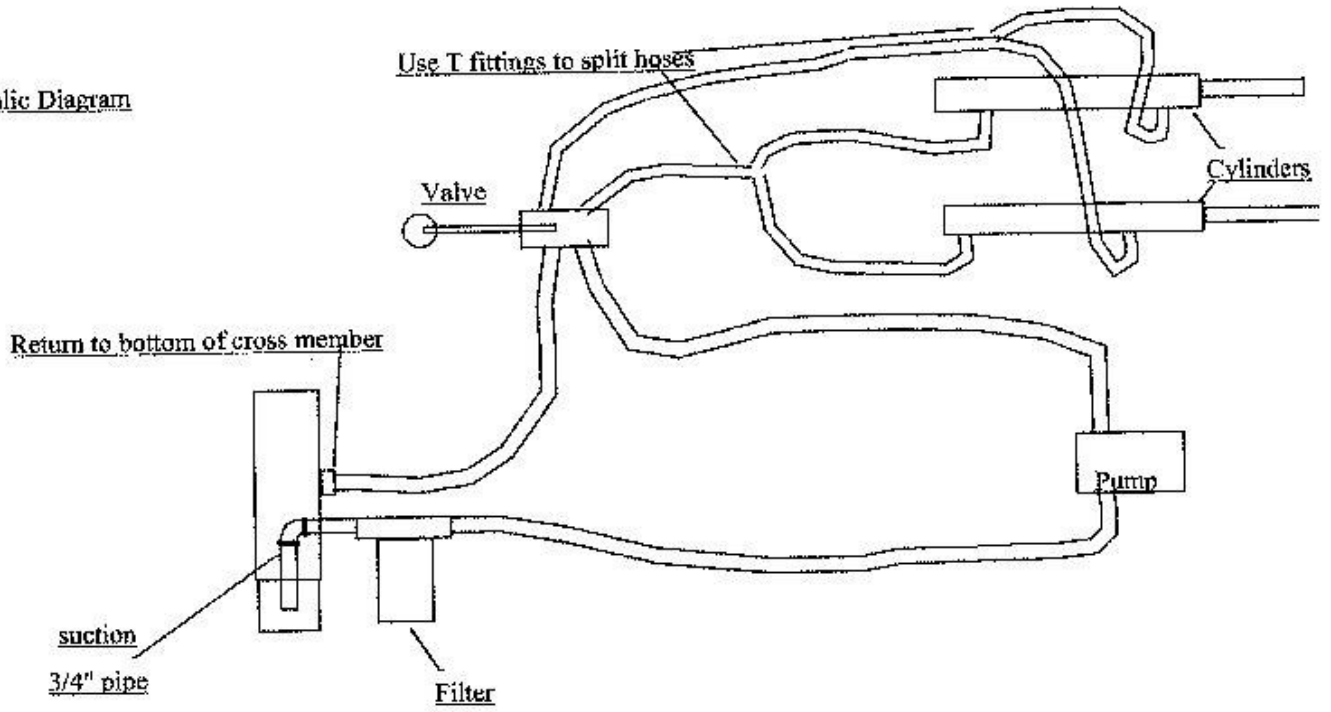
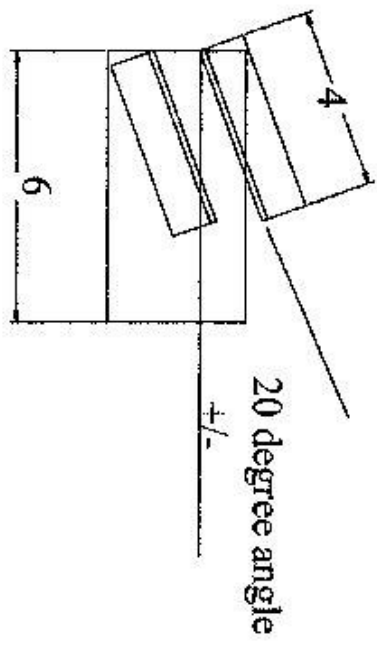
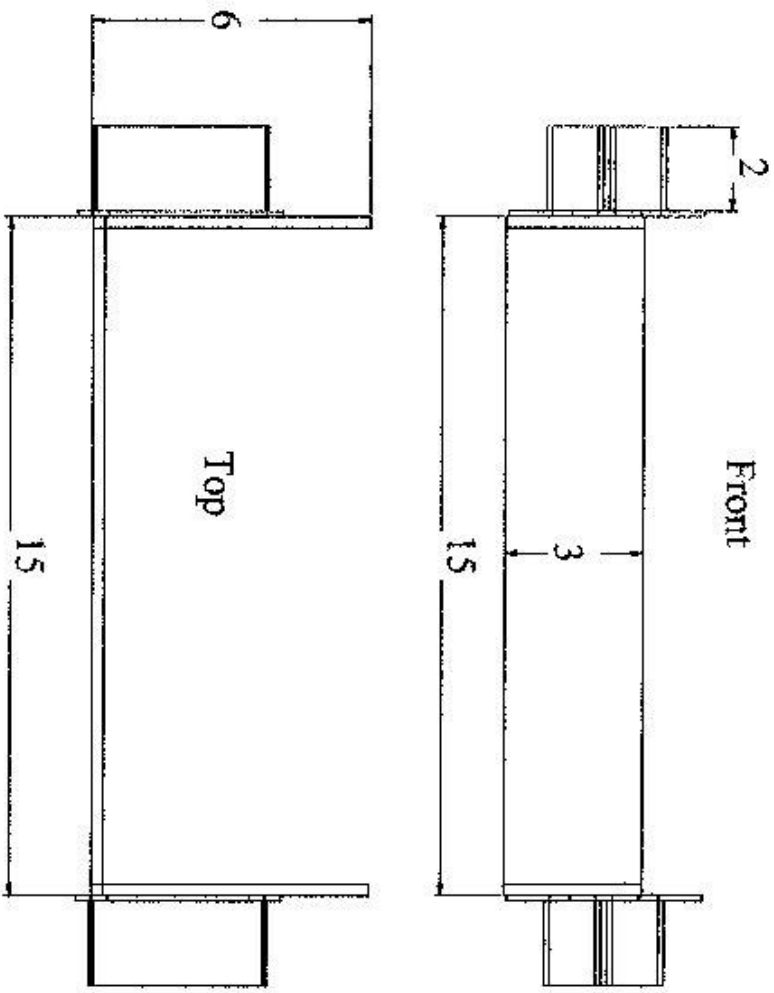


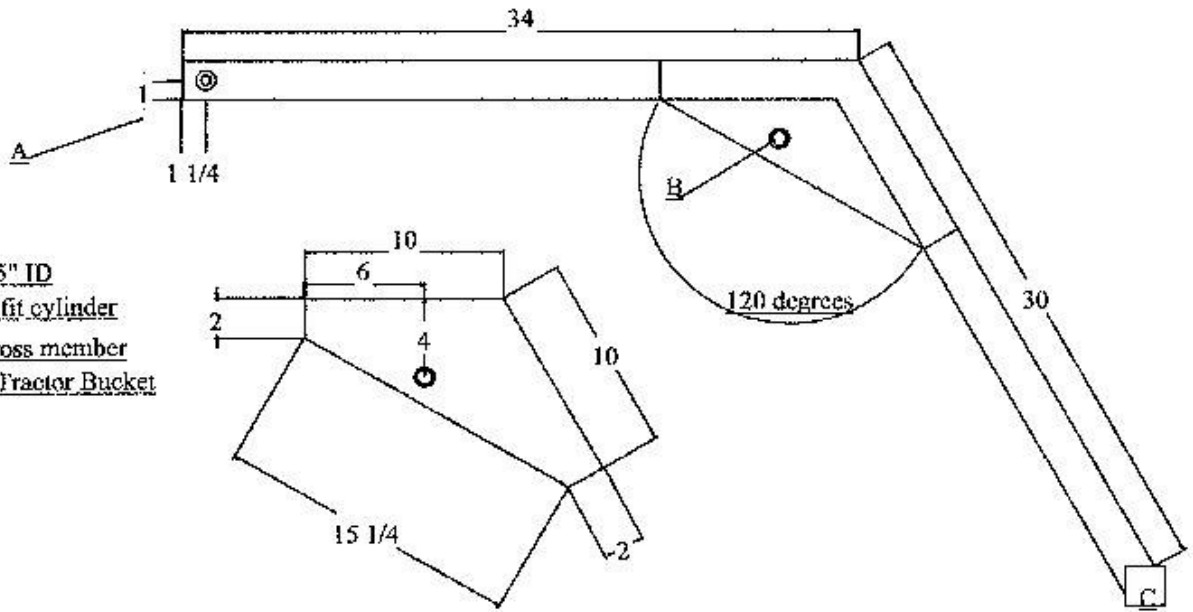
Hydraulic Diagram



Front Support Bracket



Boom Arm: 2" x 2" x 3/16" square



- A-Bushing 0.5" ID
- B-Bushing to fit cylinder
- C-Standard cross member on Garden Tractor Bucket

Boom Web Brace: 1/4" plate

Towers

A-2.5" x 2.5" x 3/16" square

B-2.5" x 7" x 1/4" plate

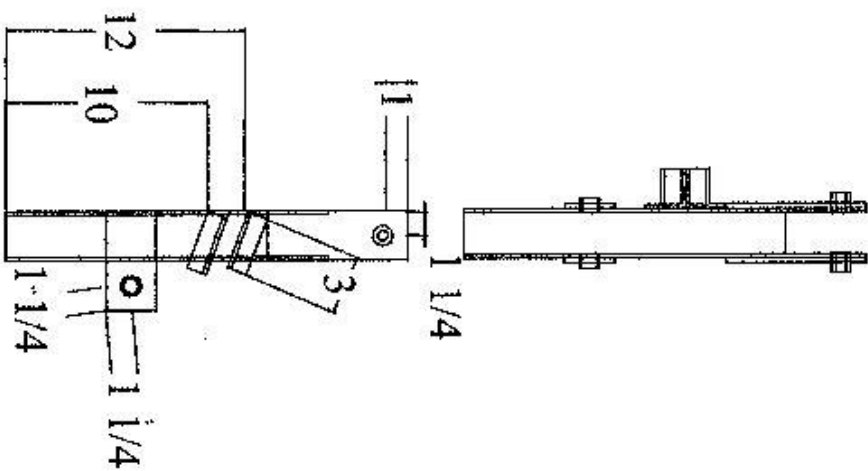
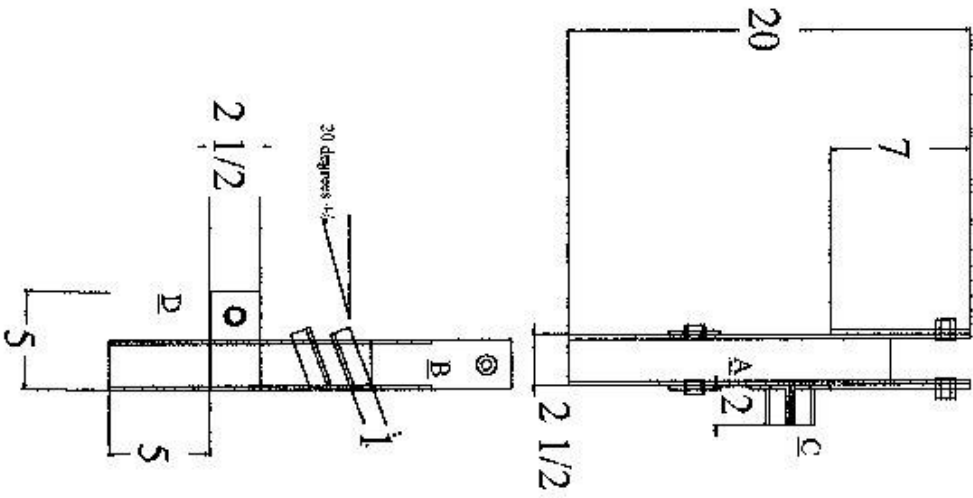
C-1" x 2" x 1/4" angle

D-2.5" x 5" x 1/4" plate

Top bushings are 0.5" ID

Lower Bushings to fit cylinder

All dimensions in inches



Cross Member

A-2.5" x 2.5" x 3/16" square tube

B-3" x 2.5" x 1/4" angle

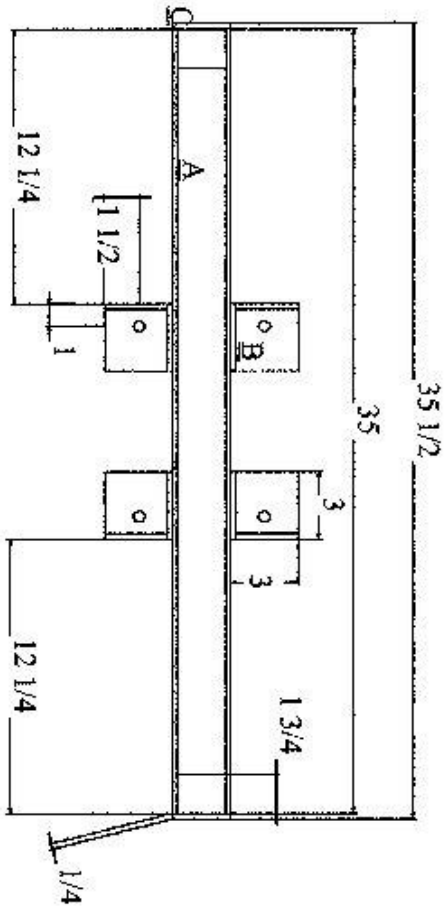
C-2.5" x 2.5" x 1/4" plate

D-2.75" x 2.25" x 1/4" triangle

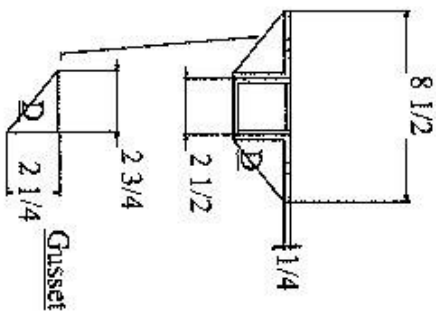
Holes are 0.5" diameter

All dimensions in inches

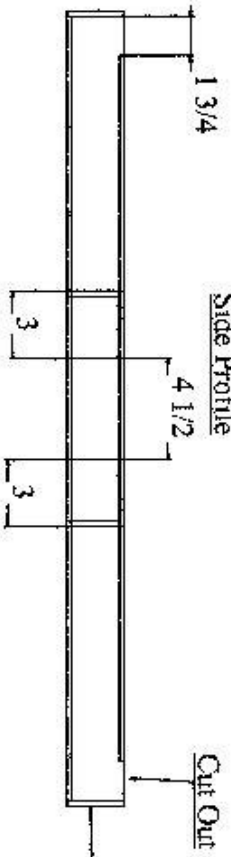
Top Profile



End Profile



Side Profile



End Cap

